

Ultra High Pressure Regulator - DH Series

Introduction

MAHER™ The DH Series (10, 20, 30 and 40) are dome-loaded pressure-reducing regulators designed for the regulation of high pressure, high flow gases and liquids. Note that seat seal material selection can limit the regulator operational pressure at elevated temperatures.

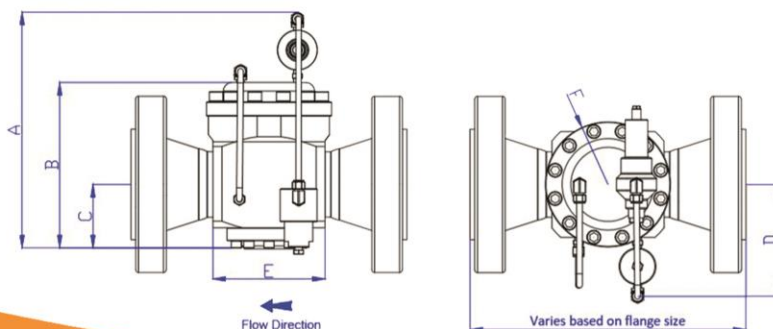


Specifications

Item	Specification	Description
1	Connection Flange Size (NPS)	1,2,3 and 4 - RTJ or RF
2	Pressure Setting (bar)	20 to 200
3	Inlet Pressure (bar)	Up to 255
4	Operational Temperature (C)	-20 to 80
5	Body Material	304 Stainless steel, 316 Stainless steel
6	Trim Material	304 Stainless steel, 316 Stainless steel
7	Diaphragm Material	NBR, FKM, EPDM, VITON
8	O-Ring Material	NBR, FKM, EPDM, VITON
9	Packaging	Wooden Box

Overall Dimensions

Series	Connection Size (NPS)	Dimension (mm)					
		A	B	C	D	E	F
DH30	3	310	243	85	150	190	216
DH40	4	356	290	111	150	250	216



High Pressure Regulator – Model AFR476

Introduction

MAHER™ AFR476 is a downstream pressure regulator, pilot controlled, for medium and high pressure applications. It is the axial regulator with an increased capacity to allow greater flow rates compared to the other types of regulators of the same size.



Specifications

Item	Specification	Description
1	Connection Flange Size (NPS)	2,4,6,8,10,12
2	Flange Facing (ASNI B16.5)	300,600 - RF or RTJ
3	Pressure Setting (bar)	2 to 85
4	Inlet Pressure (bar)	Up to 102
5	Operational Temperature (C)	-20 to 80
6	Body Material	SA105
7	Trim Material	304 Stainless steel, 316 Stainless steel, CS
8	Diaphragm Material	NBR, FKM, EPDM
9	O-Ring Material	NBR, FKM, EPDM, VITON
10	Packaging	Wooden Box

Overall Dimensions

NPS	ANSI 300			ANSI 600		
	S	C	E	S	C	E
2	266	287	350	286	287	350
4	368	480	446	394	480	446
6	473	610	511	508	610	511
8	569	653	533	610	653	533
10	708	758	560	752	758	560

